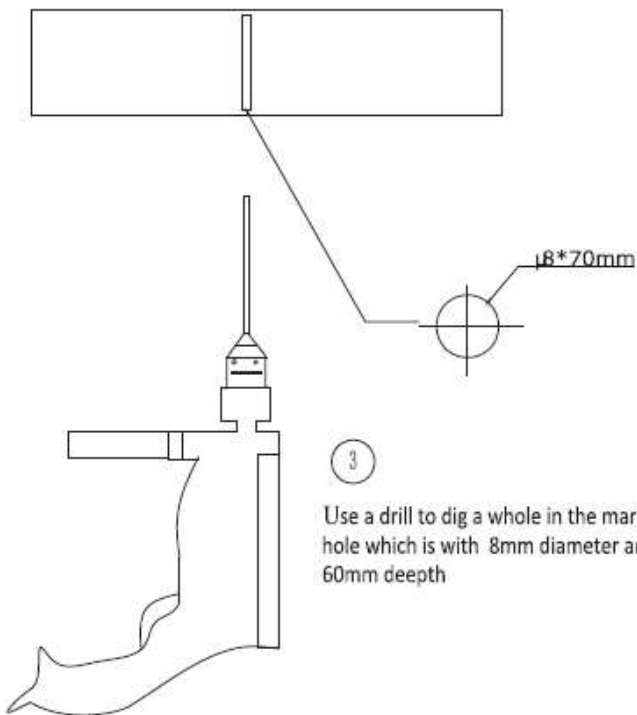
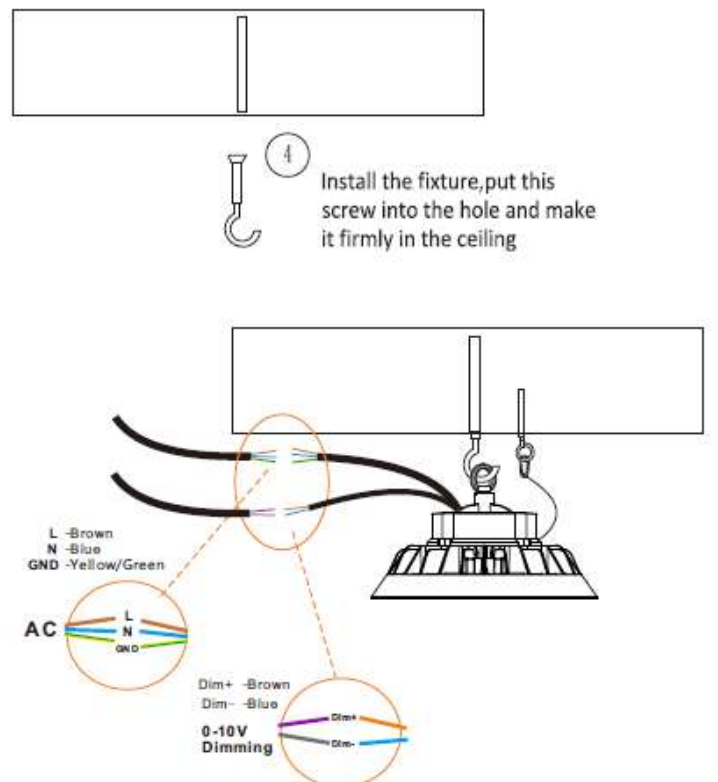


① Open the box and take out the UFO and mounting bolt and spring washer

② Tighten the mounting bolt and spring washer to the UFO drive



③ Use a drill to dig a whole in the marked hole which is with 8mm diameter and 60mm depth



④ Install the fixture, put this screw into the hole and make it firmly in the ceiling

⑤ Hang on the light and connect the wire. Then light up to test