

[www.luxform.com/files/GBSO01\\_Solar\\_1.pdf](http://www.luxform.com/files/GBSO01_Solar_1.pdf)

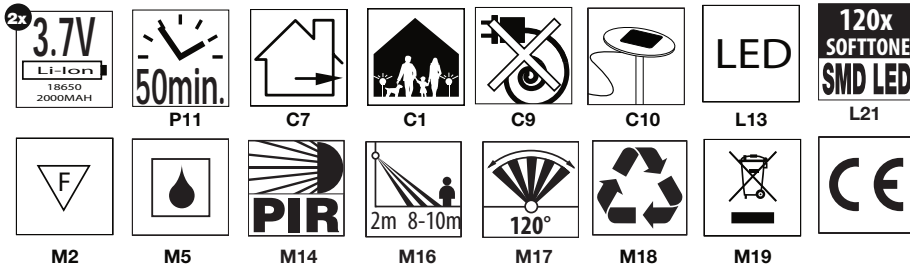
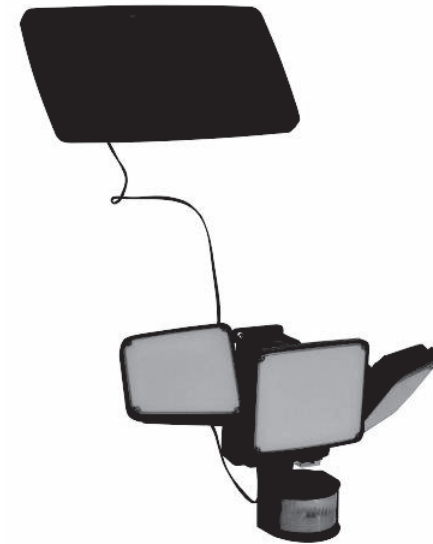


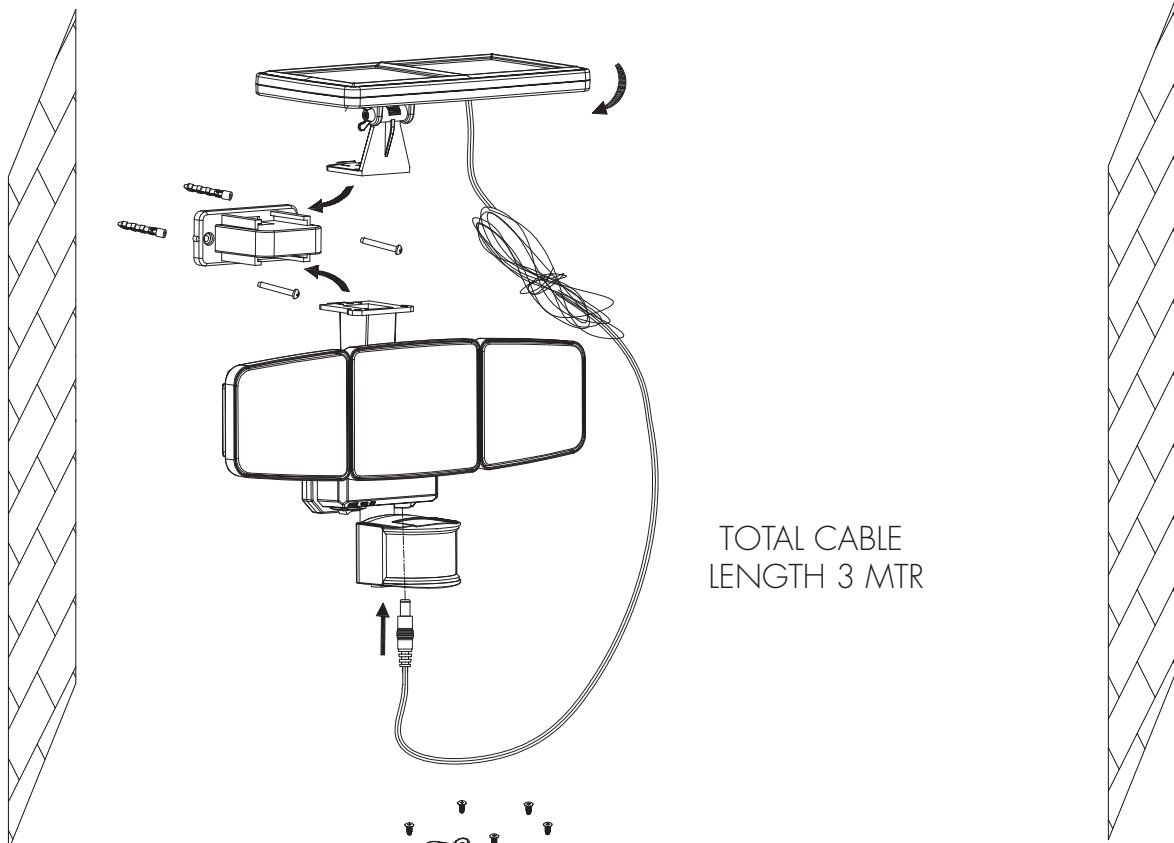
NL  
GB  
DE  
FR  
PT  
S  
FIN  
N  
DK  
GR  
CZ  
PL  
SI  
RO  
LT  
EST  
LV  
H  
RUS

Scan mij voor meer informatie  
Scan me for more information  
Scannen Sie mich für weitere Informationen  
Flashez moi pour plus d'informations  
Escanear me para más información  
Digitalizar me para mais informações  
Scansione me per ulteriori informazioni  
Skanna mig för mer information  
Skannata kerron lisää  
Skanne meg for mer informasjon  
Scanne mig for mere information  
σάρωση μου για περισσότερες πληροφορίες  
Skenovani me pro vice informáci  
Skanować mi więcej informacji  
Skeniranje me za več informacij  
Scanare ma pentru mai multe informații  
Nuskaityti manęs daugiau informacijos  
Skaneerida minuga rohkem teavet  
Skenet ar mani vairak informācijas  
Atkutat én további információkat  
сканировать мной для получения  
дополнительной информации

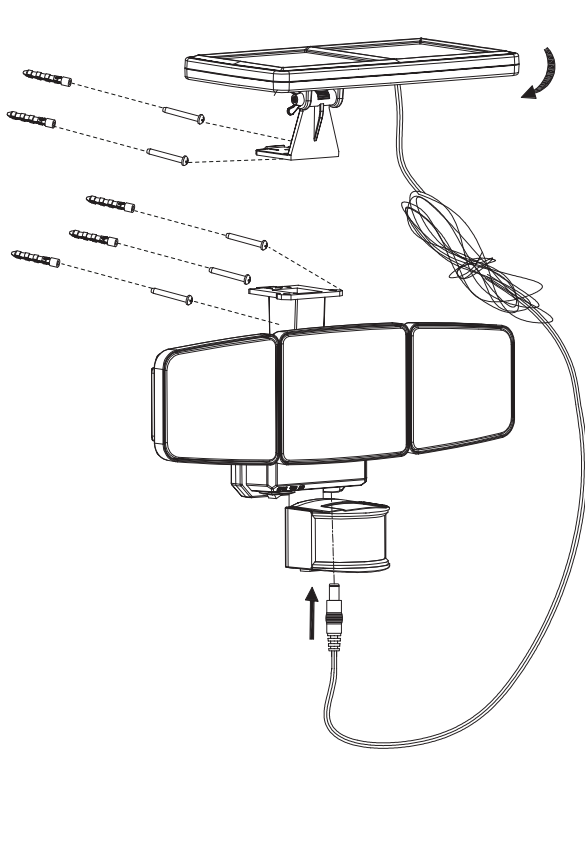


# SOLAR SECURITY LIGHT LA RIOJA ADJUSTABLE LED PANELS SEPARATE SOLAR PANEL

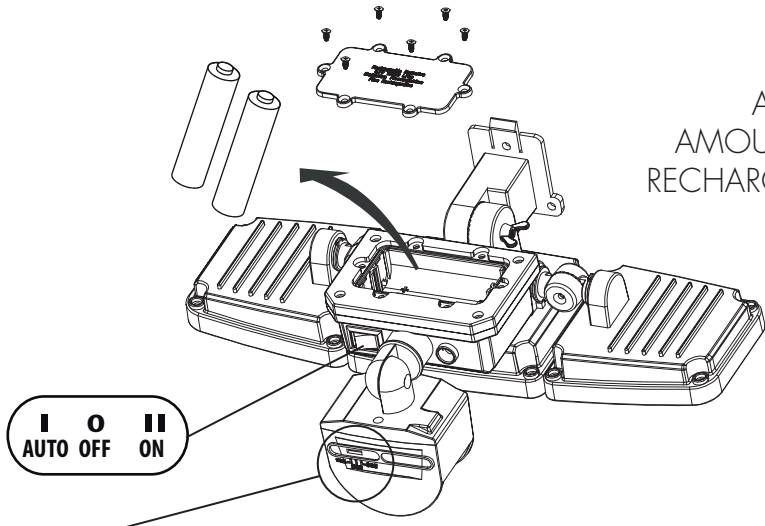




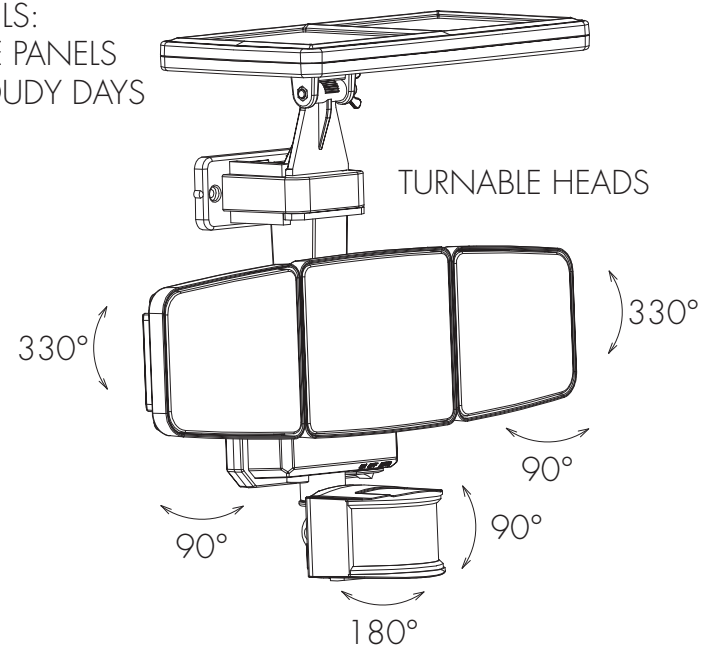
TOTAL CABLE LENGTH 3 MTR



ALL WEATHER TYPE SOLAR PANELS:  
AMOURPHOUS AND POLYCRYSTALLINE PANELS  
RECHARGES AT BOTH SUNNY AND CLOUDY DAYS



I O II  
AUTO OFF ON



Max. 2500 LUMEN illuminated time is 50 minutes with a **fully charged battery**.  
Equivalent to 100 switching moments of 30 seconds  
Or equivalent to 50 switching moments of 60 seconds  
Or equivalent to 25 switching moments of 120 seconds

