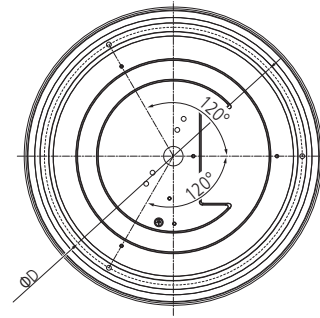
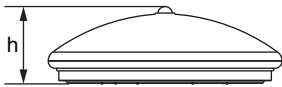


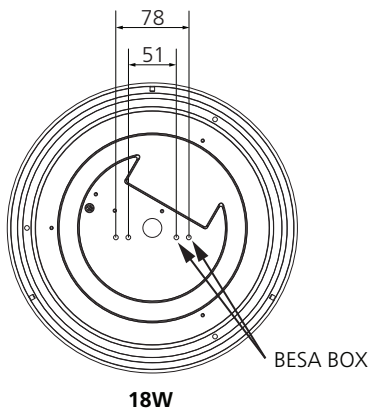
d = 330mm 18W  
d = 360mm 24W



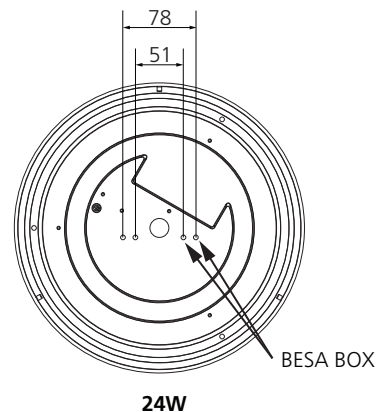
D = 265 mm 18W  
D = 265 mm 24W



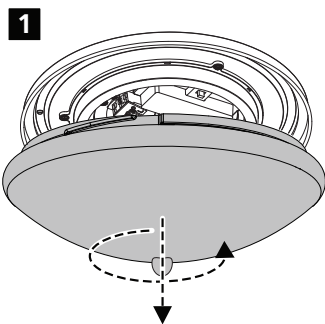
h = 108mm 18W  
h = 112mm 24W



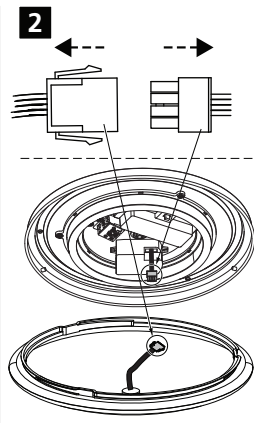
18W



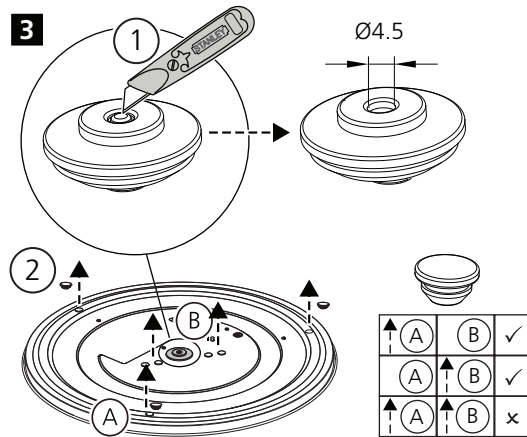
24W



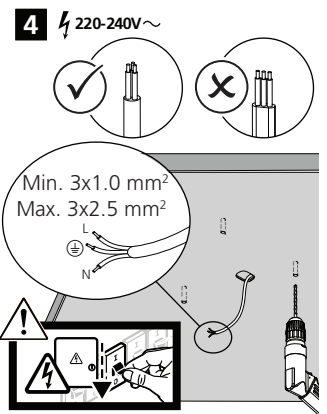
1



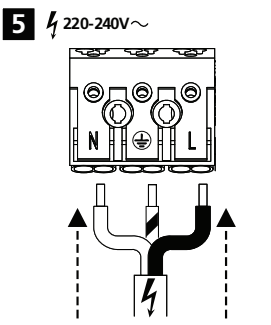
2



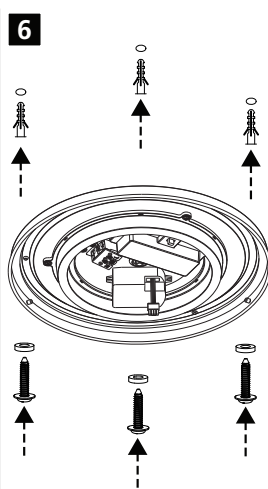
3



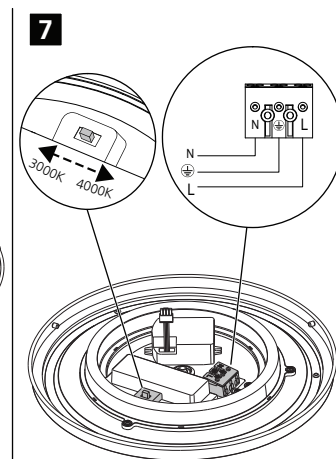
4



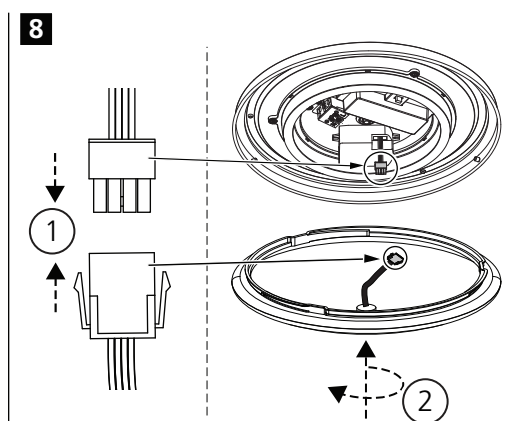
5



6



7

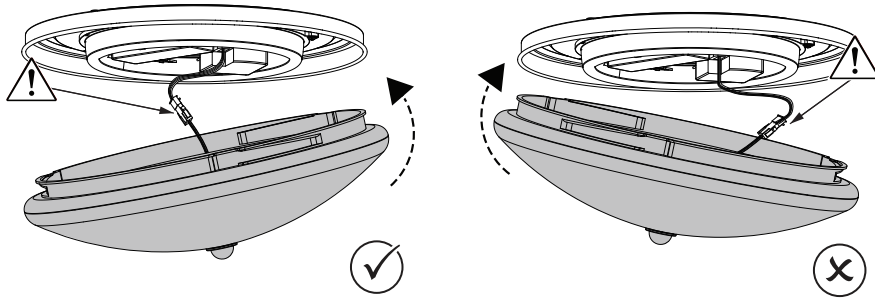


8

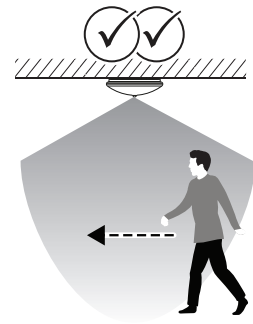
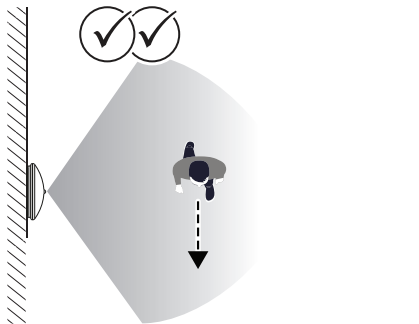
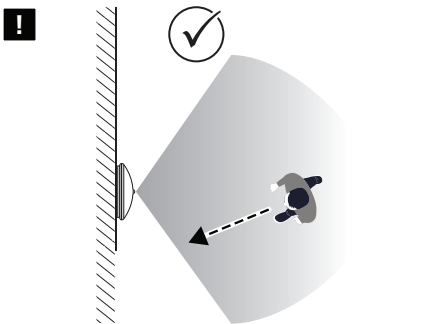
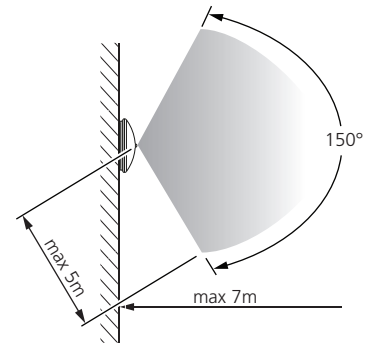
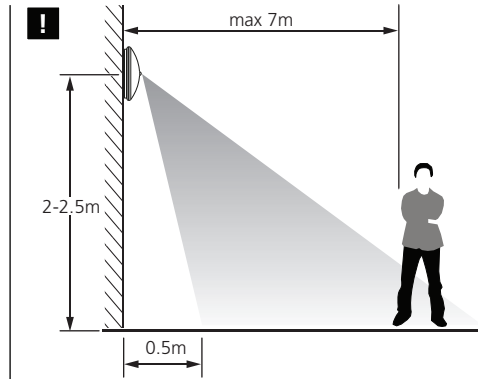
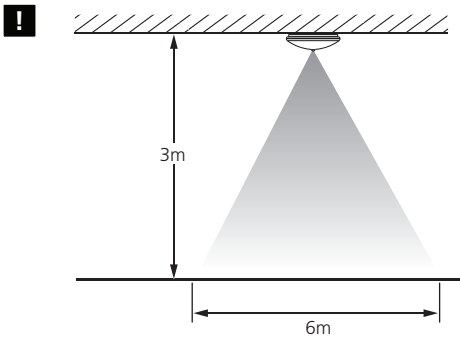
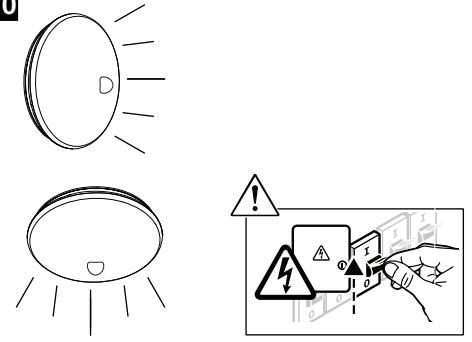
	18W (pcs)	24W (pcs)
10A C-type	15	15
16A C-type	24	24

min. 3 x 1.00 mm<sup>2</sup>  
 max. 3 x 2.50 mm<sup>2</sup>

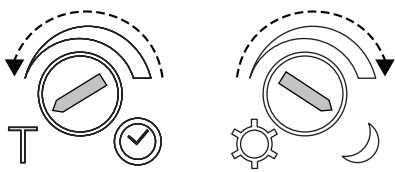
9



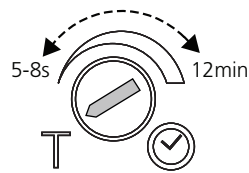
10



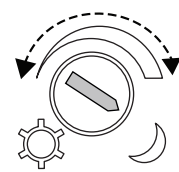
! TEST



! ⌚



! ☀ + ☾



!

